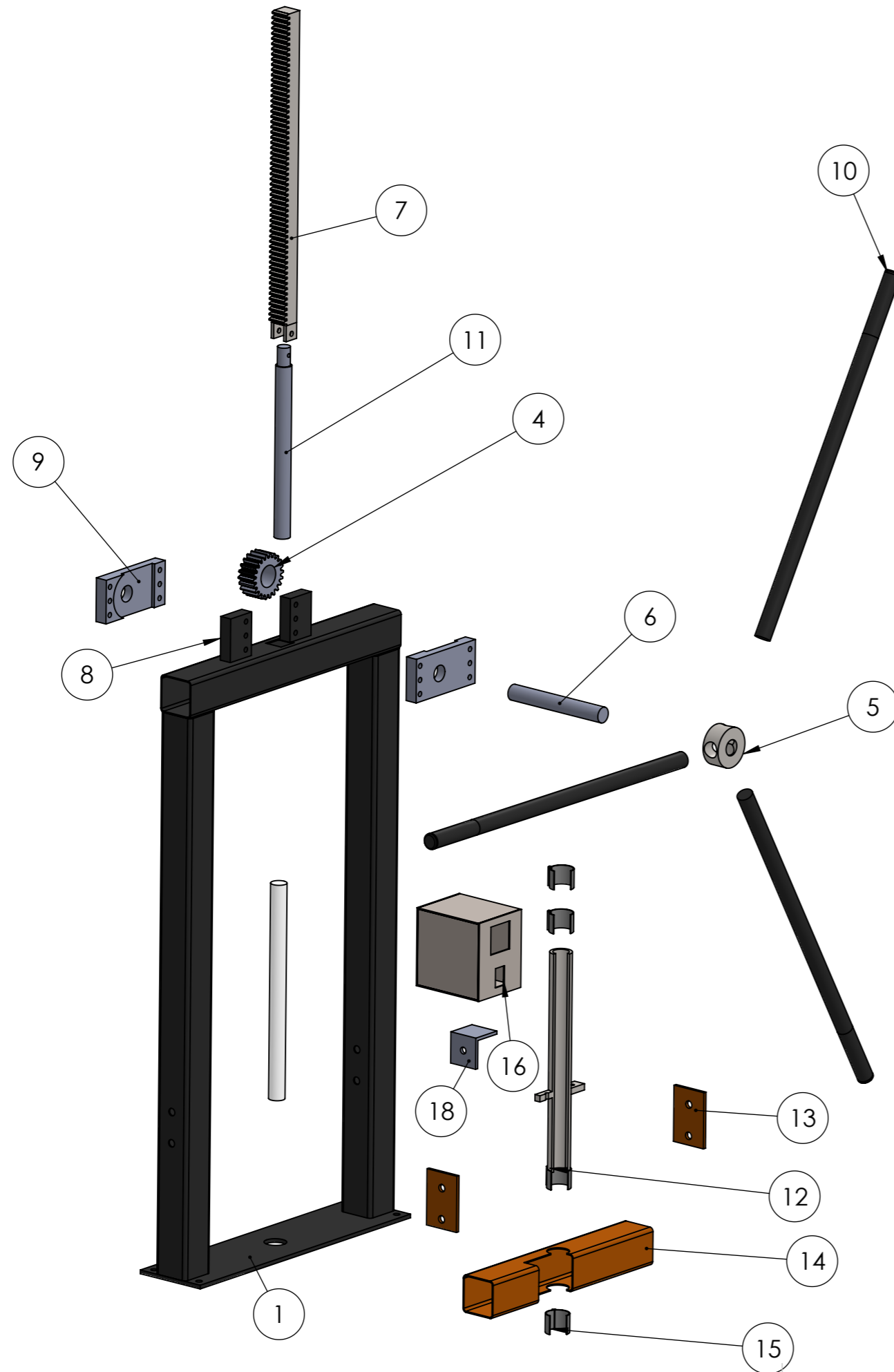


C COPYRIGHT: This drawing is confidential
It must not be copied or disclosed without written consent



ITEM NO.	PART NUMBER	DESCRIPTION	QTY.
1	Base_plate		1
2	Bar		2
3	Bar		1
4	Gear_Module3_22-teeth		1
5	Gear_bracket_round		1
6	Round_Bar_Handle		1
7	Gear_rail		1
8	Gear_block_support		2
9	Gear_bracket_support		2
10	Round_Bar_Handle		3
11	Round_rod_plunger		1
12	Barrel_Tube		1
13	Support_plate		2
14	Bar		1
15	HeatBand		4
16	Elena_housing		1
17	Plastic_volume		1
18	50x50x5mm_Angle		1

THIRD ANGLE PROJECTION 		Plastic Hub Catalunya Catalunya Email cgoflyn@gmail.com https://www.instagram.com/plastichubcat/		
UNLESS OTHERWISE SPECIFIED DIMENSIONS ARE IN MILLIMETERS TOLERANCES ARE:		PART NO:	REV.	
LINEAR ±	ANGULAR ±	PART NAME:	SIZE: A3	
APPROVALS	DATE	MATERIAL:	COLOUR:	SCALE: 1:10
DRAWN		DRAWING FILE: Elena		SHEET 1 OF 4
CHECKED				