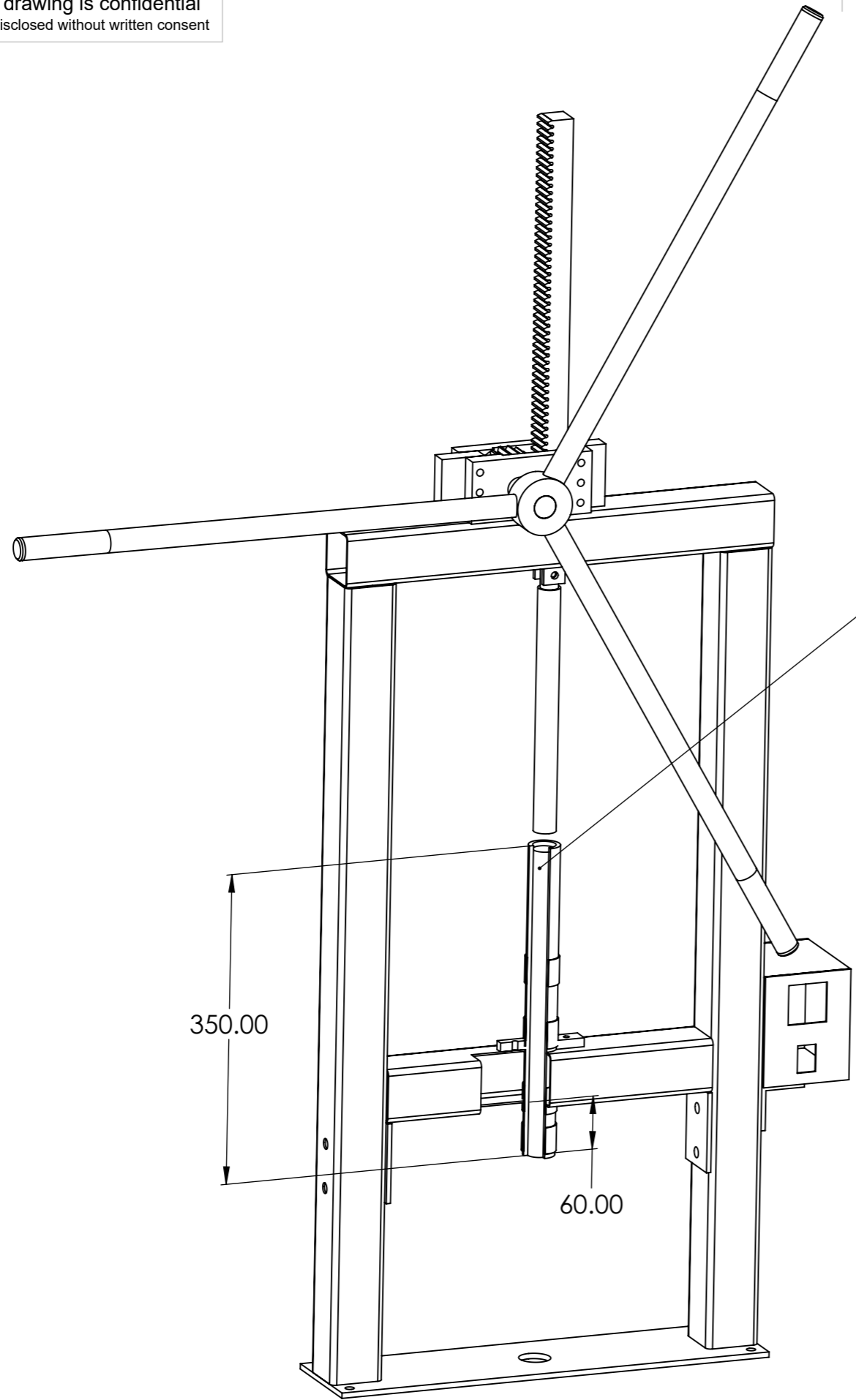
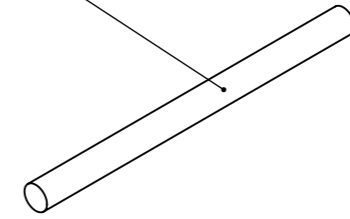


© COPYRIGHT: This drawing is confidential
It must not be copied or disclosed without written consent



Plastic Volume = 175 grams



THIRD ANGLE PROJECTION 		Plastic Hub Catalunya Catalunya Email cgoflyn@gmail.com https://www.instagram.com/plastichubcat/		
UNLESS OTHERWISE SPECIFIED DIMENSIONS ARE IN MILLIMETERS TOLERANCES ARE:		PART NO:	REV.	
LINEAR ±	ANGULAR ±	PART NAME:		SIZE: A3
APPROVALS	DATE	MATERIAL:	COLOUR:	SCALE: 1:6
DRAWN		DRAWING FILE: Elena		SHEET 4 OF 4
CHECKED				