

6 5 4 3 2 1

D

C

B

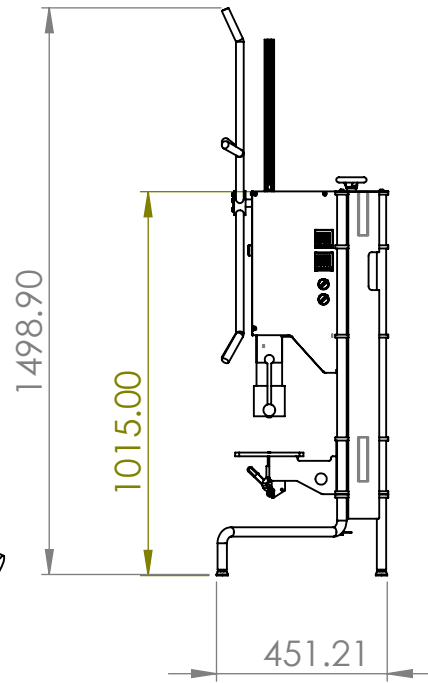
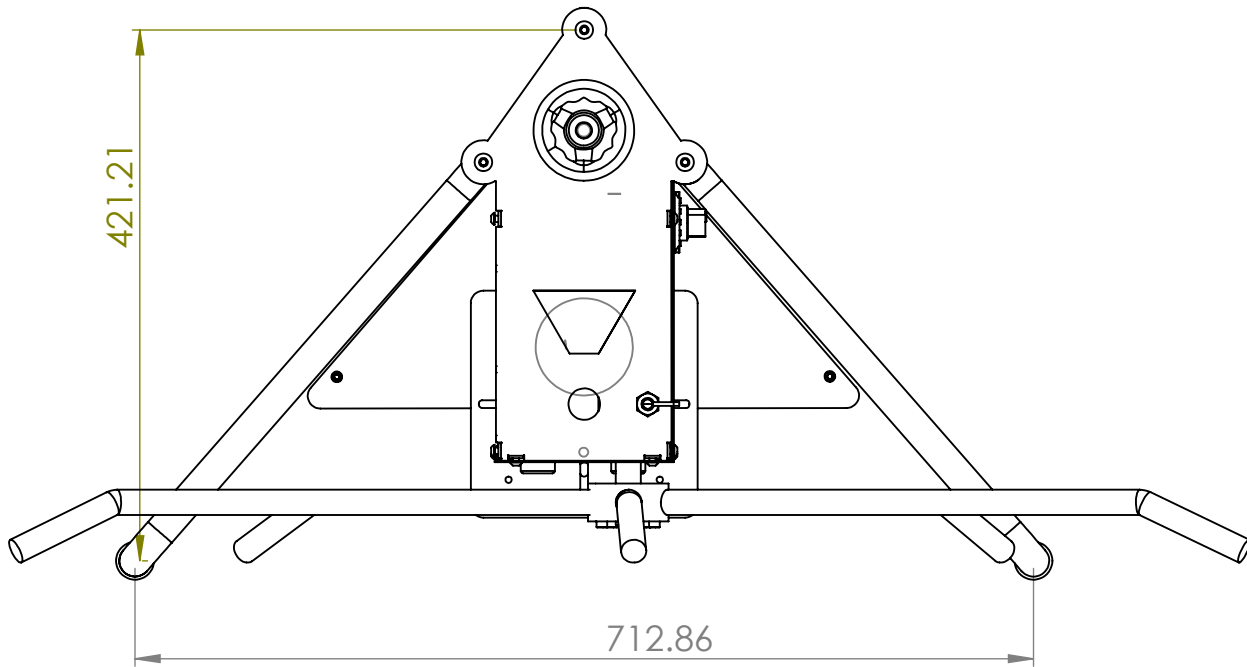
A

D

C

B

A



UNLESS OTHERWISE SPECIFIED: DIMENSIONS ARE IN MILLIMETERS SURFACE FINISH: TOLERANCES: LINEAR: ANGULAR:			FINISH:		DEBURR AND BREAK SHARP EDGES		DO NOT SCALE DRAWING		REVISION		
DRAWN			NAME		SIGNATURE		DATE		TITLE: <b>Myriad - Standard</b>		
CHK'D									DWG NO. <b>Dimensions</b>		
APPV'D											
MFG									SCALE:1:20		
Q.A											
							MATERIAL:		SHEET 1 OF 1		
							WEIGHT:				

6 5 4 3 2 1